

CABLE 142 RF: RF CABLE ASSEMBLY, I-PEX MHF PLUG + SMA R/A PLUG + MUTIPLE CABLE SIZES - 6GHz

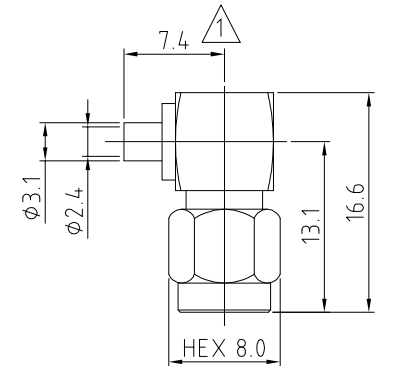
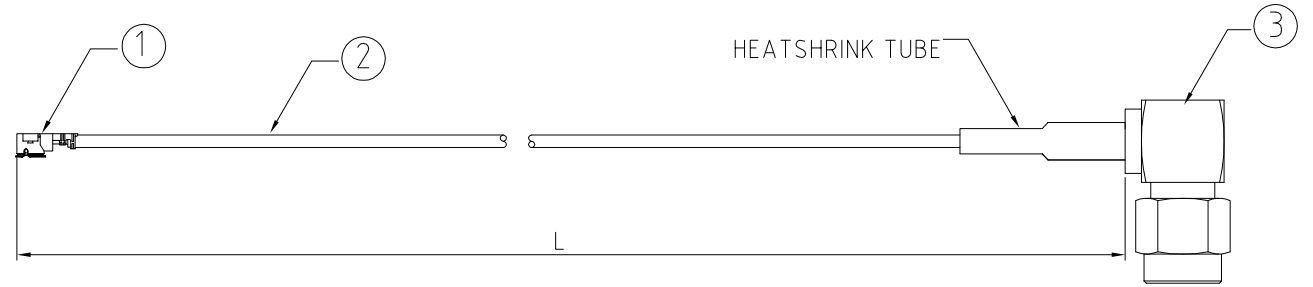
SPECIFICATIONS:

1. I-PEX MHF PLUG P/N:
FOR 1.13MM CABLE: 20278-112R-13.
FOR RG178 CABLE: 20278-112R-18.
FOR 1.32MM CABLE: 20278-112R-32.
2. COAXIAL CABLE (SEE P/N OPTIONS FOR DETAIL).
3. SMA RIGHT ANGLE PLUG, GOLD, P/N:
FOR 1.13MM CABLE: RFCT-SMA070-M13.
FOR RG178 CABLE: RFCT-SMA025-M78.
FOR 1.32MM CABLE: RFCT-SMA052-M32.

USAGE PRECAUTIONS: CABLES USING 'MICRO' COAX ARE DELICATE:
 (i) HANDLE WITH CARE.
 (ii) DO NOT TWIST; APPLY EXCESSIVE FORCES OR SHARP BENDS TO THE CABLE. DO NOT FORCEFULLY DEFORM WIRES.
 (iii) CONSULT CONNECTOR MANUFACTURER'S DATASHEETS FOR DETAILED NOTES ON HANDLING INSTRUCTIONS.

NOTES:

1. THE ORIENTATION OF CONNECTORS ON DRAWING IS FOR REFERENCE ONLY, IF THE ORDER IS LEFT BLANK THE CONNECTOR WILL NOT HAVE FIXED ORIENTATION.
2. FIXED ORIENTATION IS SUGGESTED FOR CABLE LENGTH 25MM TO 100MM. PLEASE SPECIFY THE FIXED ORIENTATIONS FROM THE ORDER CODE (F1, F2, ETC)
3. CONTACT GRAD CONN IF THE ORIENTATION YOU REQUIRE IS NOT SHOWN.
4. WORKING FREQUENCY RANGE: DC-6GHz
5. OPERATING TEMPERATURE: -40°C~+85°C.
6. IMPEDANCE: 50 OHM.

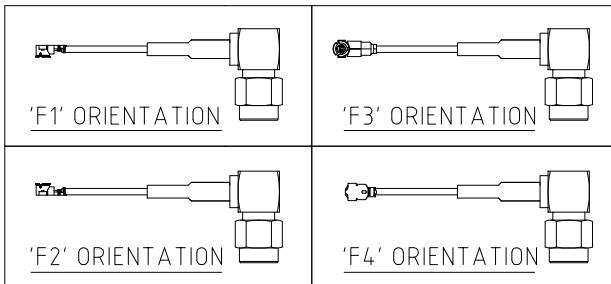


HOW TO ORDER
 CABLE 142 RF - XXX - XX - X

"L" LENGTH IN MM
 eg: 100MM = 100
 (MIN. 025-MAX.400)
 STANDARD = 100, 150, 200)
 Tolerance: <50mm : ±2mm.
 51-200mm: ±5mm.
 201-400mm: ±7mm.

CABLE SIZE OPTIONS:
 0 = Ø1.13mm CABLE, GRAY
 1 = RG178 CABLE, BROWN
 2 = Ø1.32mm CABLE, GRAY

ORIENTATION OPTIONS:
 BLANK = DOES NOT HAVE A FIXED ORIENTATION
 F1 = SAME ORIENTATION (L=25-200MM)
 F2 = OPPOSITE ORIENTATION (L=25-200MM)
 F3 = LEFT CONNECTION FACING VIEWER (L=25-200MM)
 F4 = LEFT CONNECTION BACK TO VIEWER (L=25-200MM)
 (SEE NOTES 1, 2, 3 AND DIAGRAMS FOR MORE INFORMATION)



REV. DATE & DRN
 10 02/17/12 - NYW RELEASE
 11 21/09/16 - RH SMA UPDATE
 12 09/07/20 - NYW
 13 28/05/21 - NYW
 ADD: CABLE OPTION 2
 ADD F3, F4 ORIENTATION.
 ADD NOTES 5, 6.

Scale: NTS	THIRD ANGLE	Unstated X .XX .XXX ANGLES	Tolerances: N/A N/A N/A N/A	Material SEE NOTE
Drawn: RJH				
App'd: XXX	Title: CABLE ASSEMBLY	NOT TO SCALE		
Date: 28 MAY '21	Revision: 13	Unit: mm		

www.gradconn.com

© THIS DRAWING IS CONFIDENTIAL AND MUST NOT BE COPIED OR DISCLOSED WITHOUT WRITTEN CONSENT

Type: Cable 142 RF
CABLE 142 RF
Drawing Number:
Sheet 1 of 1
Drawing © E and O E